



LRE 700

A STABLE RUNNING UNIT THAT IS EASY TO OPERATE

Together with the strong side panels and our solid coated wire shelves, you will get the strongest shelf with max load per shelf up to 45 kg.



AIR FORCED
COOLING



FILTERLESS
CONSTRUCTION

EXTRA SECURITY

The LRE 700 has multiple safety features as standard. The range comes with a built-in lock to restrict access to the stored samples. Besides the physical security, the LRE 700 comes with electronic safety features. The temperature display has a high/low temperature audio and visual alarms along with a door open alarm. The controller records the minimum and maximum temperature which ensures that your samples have never gone out of the set temperature range.

MONOBLOCK TECHNOLOGY

With the monoblock technology you get several advantages, such as more storage space per square meter of floor space, because the evaporator is not taking up space from the storage area of the unit.

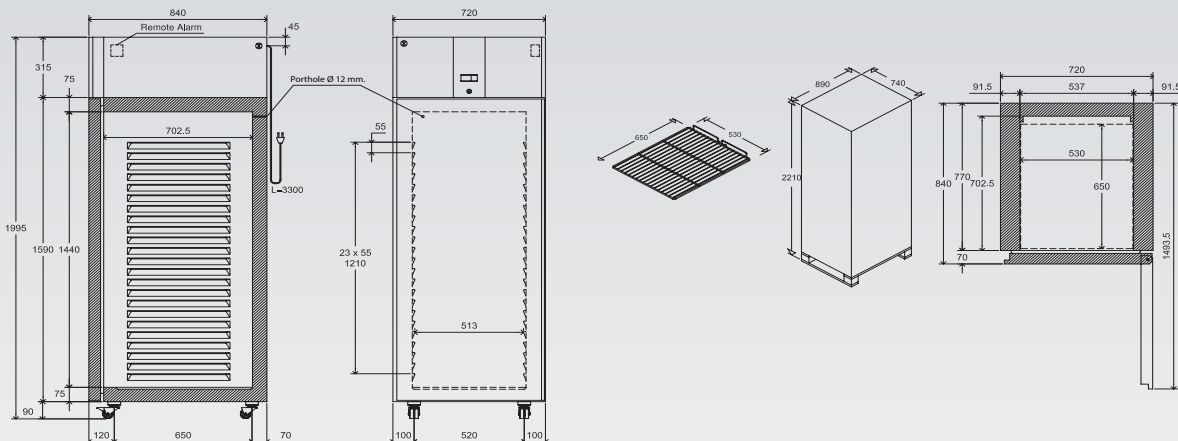
With the removal of the evaporator from the inside of the unit, you also get a much smaller impact on the air temperature during automatic defrost.

UNIQUE SHELF SYSTEM

The new special shelving system with integrated shelf guides allows more room for storage while still maintaining an efficient airflow. The shelves are specially designed for easy adjustments in order to offer the best flexibility for your storage needs. This allowing the user to organize their unit exactly as desired.

The new system benefits from fewer edges and corners allowing much easier cleaning and better hygiene.

MAIN DIMENSION FOR LRE 700





The Carel controller features, among others, visual and acoustic alarm, high/low temperature alarm and open door alarm.



Lock is a standard feature in our LRE 700 for optimal security



LRE 700 feature our new unique pressed side panels offering an integrated shelf guide system for hygiene and easy cleaning

OPTIONAL ACCESSORIES

- Wire shelf plastic coated
- Wire shelf stainless steel
- Temperature chart recorder
- GSM alarm module 3G/4G
- Anti freeze thermostat
- Door reverse kit
- Voltage stabilizer
- Voltage converter

MAIN SPECIFICATIONS

Item code	DAI 7010
Temperature range (°C)	+1/ +10
Max. ambient temperature (°C)	43
Capacity (L)	519
Exterior dimensions WxDxH (mm)	720x840x1995
Interior dimensions WxDxH (mm)	513x702x1440
Weight (KG)	105
Insulation (mm)	91,5
Cooling technology	air forced
Controller model / probe type	Carel / NTC

POWER

Power supply (V)	230*
Frequency (Hz)	50
Power consumption (kWh/24H)	1,7
AMP (A)	0,9
Power (Watt)	200
Horse power (HP)	1/4

ALARM FUNCTIONS

Alarm display as text - not codes	no
Visual / acoustic alarm	yes / yes
Power failure alarm	no
Adjustable high / low temperature alarm	yes / yes
Open door alarm	yes
Probe failure alarm	yes
Low battery alarm	no
Compressor failure alarm	no
Battery backup for alarms (approx. hrs.)	no

DATA LOGGING & EXTERNAL CONNECTION

Voltage free contact for remote alarm (e.g. GSM module)	yes
Electronic data logger	no
RS 485 port	no
USB port for software update & data download	no
Temperature chart recorder	optional

DISPLAY FEATURES

Display type	LED display with touch
Number of optional reference probes	no
Password protection for turning unit on / off	no
Temperature graph on display	no

OTHER FEATURES

Automatic defrost	no
Vacuum release port	no
Access port for external probe etc. (int. diameter mm)	12
Light	no
Lock with key	yes
Castors (total pcs) / castors with brake (pcs)	4 / 2
Feet (pcs) / levelling feet (pcs)	no
Sub lids or inner doors (pcs)	no
Reversible door(s)	yes
Fixed shelves (pcs) / adjustable shelves (pcs)	0 / 3
Max no. shelves (pcs)/recommended max no. shelves (pcs)	23 / 11
Max load per shelf (kg)	45

REFRIGERATION & CABINET

Number of compressors	1
Refrigerant	R290
Interior cabinet material	stainless steel
Exterior cabinet material	coated steel
Colour (exterior cabinet)	white
Foam type	polyurethane
VIP vacuum insulated panels	no

SHIPPING

Shipping weight (KG)	124
Shipping dimensions WxDxH (cm)	89x74x221
Shipping volume (m ³)	1,46

*110V/60Hz available as option